

---

## TD 6 / CONVERTIR DES DONNÉES ANALOGIQUES

---

### Mission 1 - Conversion de signaux courants

#### Signal audio

1. Rappeler l'intervalle de fréquences des signaux audibles par l'être humain.
2. Quelle est la fréquence minimale pour échantillonner correctement un signal audio ?  
Les signaux audio « classiques » (CD audio par exemple) sont échantillonnés à une fréquence  $F_{Eclassique} = 44.1$  kHz et chaque échantillon est codé sur 16 bits.  
Les signaux HRA (Audio Haute Résolution) sont échantillonnés à une fréquence  $F_{EHRA1} = 96$  kHz ou  $F_{EHRA2} = 192$  kHz et chaque échantillon est codé sur 24 bits.
3. Ces fréquences sont-elles bien choisies ?
4. Combien de niveau logique différent y a-t-il pour chacune de ces normes ?
5. Quelle quantité d'espace numérique (en octets) faut-il prévoir pour stocker une heure de données sonores :
  - (a) au format « classique », stéréo ?
  - (b) au format HRA-192, en 5.1 ?

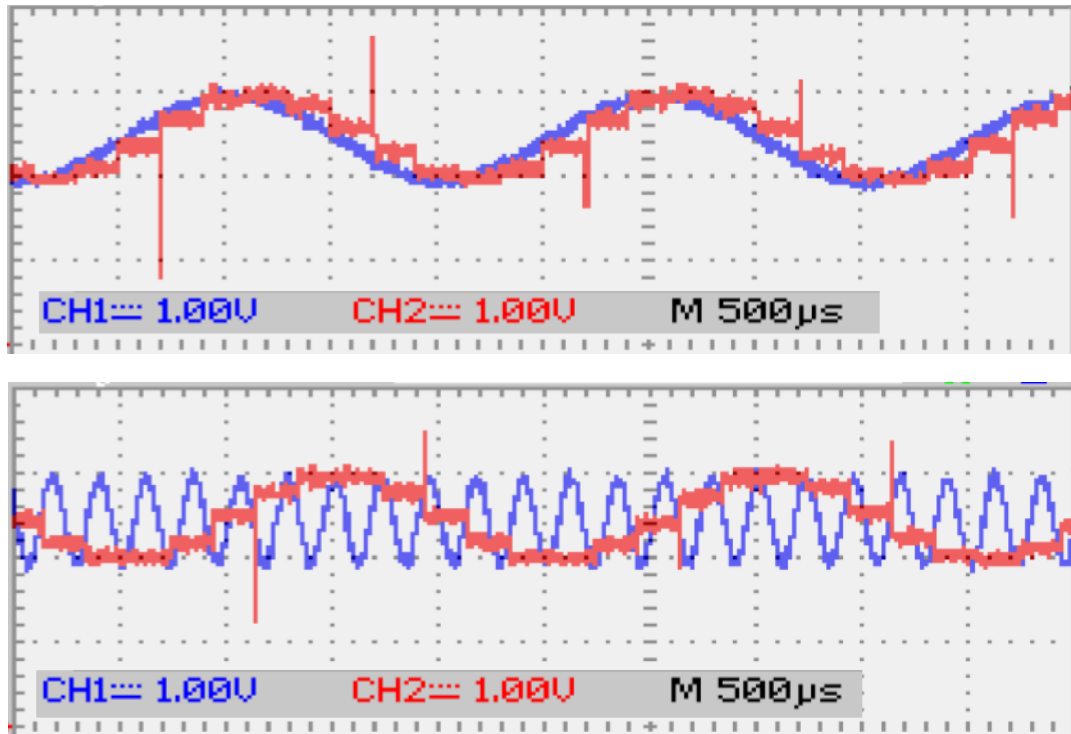
#### Signal vidéo

On s'intéresse au capteur **CMV50000** de la société *CMOSIS*, capteur 8K@30fps - au prix d'environ 3500\$ (juin 2018) dont la documentation est donnée en annexe.

1. Quelle est la taille de l'image de ce capteur ? Combien cela fait-il de pixels ?
2. Combien de convertisseurs analogique-numérique embarquent ce capteur ? Quelle est la résolution des ADC ?
3. La vitesse de transfert donnée est-elle suffisante pour prendre des images en 8K (7680 x 4320 pixels) à 30 images/seconde ?

### Mission 2 - Système numérique

Que peut-on dire des signaux suivants ?



### Mission 3 - Entrées/Sorties Numériques

On s'intéresse à présent à 2 convertisseurs analogiques-numériques différents, dont une partie des documentations techniques sont données en annexe :

- **TLC548** de *Texas Instruments* (environ 3\$ - juin 2018)
- **AD9230** de *Analog Devices* (environ 80\$ - juin 2018)

1. A partir de ces deux documentations, remplir le tableau suivant :

	TLC548	AD9230
Type de sortie		
$F_{Emax}$		
Résolution		
Alimentation		

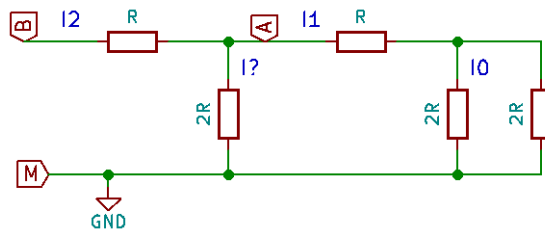
2. A l'aide de la documentation technique du **TLC548**,

- (a) Expliquer à quoi correspondent les différents éléments du **diagramme fonctionnel** donnée en page 2.
- (b) Expliquer l'opération de conversion et de récupération des données à partir de la **séquence** donnée en page 3.
- (c) Combien de temps faut-il entre chaque conversion (pour  $F_{CLOCK} = 2.048$  MHz ?

## Mission 4 - Convertisseur R-2R

### Montage R-2R

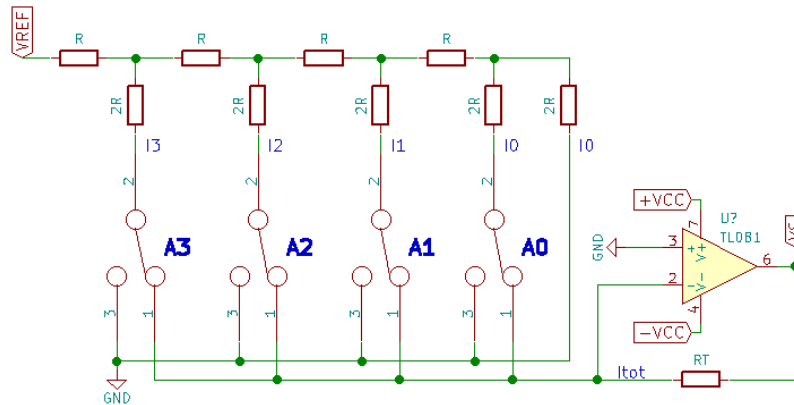
On s'intéresse à ce montage :



1. Que vaut le courant  $I_1$  en fonction du courant  $I_0$  (courant passant par la résistance  $2R$ ) ?
2. Que vaut le courant  $I_2$  en fonction du courant  $I_0$  (courant passant par la résistance  $2R$ ) ?

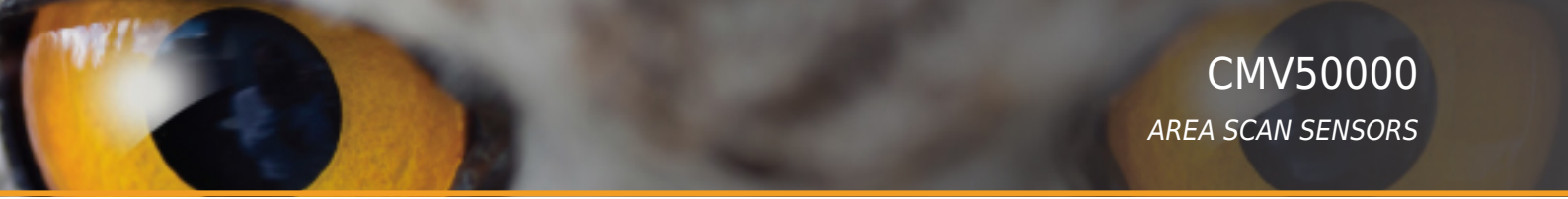
### Montage complet

On s'intéresse à présent au montage suivant :



On supposera que lorsque  $A_i = 0$ , l'interrupteur  $i$  est en position 3 et que lorsque  $A_i = 1$ , l'interrupteur  $i$  est en position 1.

1. Quel est le type de montage autour de l'ALI ?
2. En quoi la structure vue précédemment peut nous aider ?
3. Que vaut alors le courant  $I_{tot}$  dans la contre-réaction de l'ALI en fonction des courants  $I_i$  ?
4. Que vaut alors le courant  $I_{tot}$  dans la contre-réaction de l'ALI en fonction du courant  $I_{0i}$  et des valeurs des  $A_i$  ?



CMV50000  
AREA SCAN SENSORS



The CMV50000 is a high speed CMOS image sensor with 7920 x 6004 effective pixels (47.5Mp) developed for machine vision and video applications. The image array consists of 4.6µm pipelined 8T global shutter pixels which allow exposure during read out, while performing true CDS (Correlated Double Sampling) operation. The image sensor has 22 12bit sub-LVDS data outputs. The image sensor also integrates a programmable analog gain amplifier and offset regulation. Each output channel runs up to 830 Mbps maximum which results in 30 fps frame rate at full resolution in 12 bit. Higher frame rates can be achieved in row-windowing mode or row-subsampling mode. These modes are all programmable using the SPI interface. All internal exposure and read out timings are generated by a programmable on-board sequencer. External triggering and exposure programming is also possible. Extended optical dynamic range can be achieved by a dual exposure HDR mode.

## SPECIFICATIONS

<b>Part status</b>	Sampling
<b>Resolution</b>	48MP - 7920 (H) x 6004 (V)
<b>Pixel size</b>	4.6 x 4.6
<b>Optical format</b>	35 mm (36.43 x 27.62 mm2)
<b>Shutter type</b>	Global shutter
<b>Frame rate</b>	30 fps
<b>Output interface</b>	22 LVDS @ 830 Mbps
<b>Sensitivity</b>	3.5 x10e7 DN/(W.s/m2) (@ 550 nm)
<b>Conversion gain</b>	0.272 DN/e
<b>Full well charge</b>	14500 e- (with binning 58000 e-)
<b>Dark noise</b>	8.8 e-
<b>Dynamic range</b>	64dB (binning: 68dB)
<b>SNR max</b>	41.6dB (binning: 47.6dB)
<b>Parasitic light sensitivity</b>	1/18000
<b>Extended dynamic range</b>	Yes, odd/even read out
<b>Dark current</b>	0.24e/s @ 20°C; 66.2e/s @60°C
<b>Fixed pattern noise</b>	6.6 DN rms
<b>Chroma</b>	Mono and RGB
<b>Supply voltage</b>	3.3/2.7/1.8/1.2V
<b>Power</b>	3W
<b>Operating temperature range</b>	-30°C to 70°C
<b>RoHS compliance</b>	Yes (TBC)
<b>Package</b>	141 pins PGA ceramic package
<b>Socket</b>	Andon Electronics ( <a href="http://www.andonelectronics.com">http://www.andonelectronics.com</a> ) 575-20-19A-141-01M-R27-L14 (thru-hole) 575-20-19A-141-93M-R27-L14 (surface mount)



# 12-Bit, 170 MSPS/210 MSPS/250 MSPS, 1.8 V Analog-to-Digital Converter

## AD9230

### FEATURES

**SNR = 64.9 dBFS @  $f_{IN}$  up to 70 MHz @ 250 MSPS**  
**ENOB of 10.4 @  $f_{IN}$  up to 70 MHz @ 250 MSPS (-1.0 dBFS)**  
**SFDR = -79 dBc @  $f_{IN}$  up to 70 MHz @ 250 MSPS (-1.0 dBFS)**

#### Excellent linearity

**DNL =  $\pm 0.3$  LSB typical**

**INL =  $\pm 0.5$  LSB typical**

**LVDS at 250 MSPS (ANSI-644 levels)**

**700 MHz full power analog bandwidth**

**On-chip reference, no external decoupling required**

**Integrated input buffer and track-and-hold**

**Low power dissipation**

**434 mW @ 250 MSPS—LVDS SDR mode**

**400 mW @ 250 MSPS—LVDS DDR mode**

**Programmable input voltage range**

**1.0 V to 1.5 V, 1.25 V nominal**

**1.8 V analog and digital supply operation**

**Selectable output data format (offset binary, twos complement, Gray code)**

**Clock duty cycle stabilizer**

**Integrated data capture clock**

### APPLICATIONS

**Wireless and wired broadband communications**

**Cable reverse path**

**Communications test equipment**

**Radar and satellite subsystems**

**Power amplifier linearization**

### GENERAL DESCRIPTION

The AD9230 is a 12-bit monolithic sampling analog-to-digital converter optimized for high performance, low power, and ease of use. The product operates at up to a 250 MSPS conversion rate and is optimized for outstanding dynamic performance in wideband carrier and broadband systems. All necessary functions, including a track-and-hold (T/H) and voltage reference, are included on the chip to provide a complete signal conversion solution.

The ADC requires a 1.8 V analog voltage supply and a differential clock for full performance operation. The digital outputs are LVDS (ANSI-644) compatible and support either twos complement, offset binary format, or Gray code. A data clock output is available for proper output data timing.

Fabricated on an advanced CMOS process, the AD9230 is available in a 56-lead LFCSP, specified over the industrial temperature range ( $-40^{\circ}\text{C}$  to  $+85^{\circ}\text{C}$ ).

#### Rev. 0

Information furnished by Analog Devices is believed to be accurate and reliable. However, no responsibility is assumed by Analog Devices for its use, nor for any infringements of patents or other rights of third parties that may result from its use. Specifications subject to change without notice. No license is granted by implication or otherwise under any patent or patent rights of Analog Devices. Trademarks and registered trademarks are the property of their respective owners.

### FUNCTIONAL BLOCK DIAGRAM

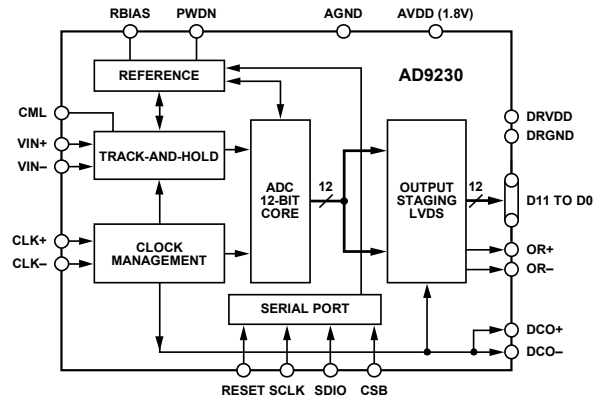


Figure 1. Functional Block Diagram

### PRODUCT HIGHLIGHTS

1. High Performance—Maintains 64.9 dBFS SNR @ 250 MSPS with a 70 MHz input.
2. Low Power—Consumes only 434 mW @ 250 MSPS.
3. Ease of Use—LVDS output data and output clock signal allow interface to current FPGA technology. The on-chip reference and sample and hold provide flexibility in system design. Use of a single 1.8 V supply simplifies system power supply design.
4. Serial Port Control—Standard serial port interface supports various product functions, such as data formatting, disabling the clock duty cycle stabilizer, power-down, gain adjust, and output test pattern generation.
5. Pin-Compatible Family—10-bit pin-compatible family offered as AD9211.

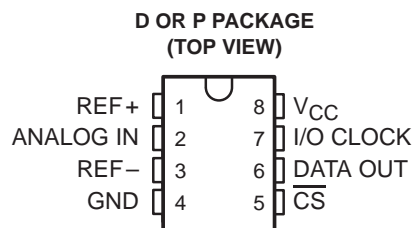
One Technology Way, P.O. Box 9106, Norwood, MA 02062-9106, U.S.A.  
Tel: 781.329.4700 [www.analog.com](http://www.analog.com)  
Fax: 781.461.3113

©2007 Analog Devices, Inc. All rights reserved.

# TLC548C, TLC548I, TLC549C, TLC549I 8-BIT ANALOG-TO-DIGITAL CONVERTERS WITH SERIAL CONTROL

SLAS067C – NOVEMBER 1983 – REVISED SEPTEMBER 1996

- Microprocessor Peripheral or Standalone Operation
- 8-Bit Resolution A/D Converter
- Differential Reference Input Voltages
- Conversion Time . . . 17  $\mu$ s Max
- Total Access and Conversion Cycles Per Second
  - TLC548 . . . up to 45 500
  - TLC549 . . . up to 40 000
- On-Chip Software-Controllable Sample-and-Hold Function
- Total Unadjusted Error . . .  $\pm 0.5$  LSB Max
- 4-MHz Typical Internal System Clock
- Wide Supply Range . . . 3 V to 6 V
- Low Power Consumption . . . 15 mW Max
- Ideal for Cost-Effective, High-Performance Applications including Battery-Operated Portable Instrumentation
- Pinout and Control Signals Compatible With the TLC540 and TLC545 8-Bit A/D Converters and with the TLC1540 10-Bit A/D Converter
- CMOS Technology



## description

The TLC548 and TLC549 are CMOS analog-to-digital converter (ADC) integrated circuits built around an 8-bit switched-capacitor successive-approximation ADC. These devices are designed for serial interface with a microprocessor or peripheral through a 3-state data output and an analog input. The TLC548 and TLC549 use only the input/output clock (I/O CLOCK) input along with the chip select ( $\overline{\text{CS}}$ ) input for data control. The maximum I/O CLOCK input frequency of the TLC548 is 2.048 MHz, and the I/O CLOCK input frequency of the TLC549 is specified up to 1.1 MHz.

### AVAILABLE OPTIONS

T <sub>A</sub>	PACKAGE	
	SMALL OUTLINE (D)	PLASTIC DIP (P)
0°C to 70°C	TLC548CD TLC549CD	TLC548CP TLC549CP
-40°C to 85°C	TLC548ID TLC549ID	TLC548IP TLC549IP



Please be aware that an important notice concerning availability, standard warranty, and use in critical applications of Texas Instruments semiconductor products and disclaimers thereto appears at the end of this data sheet.

PRODUCTION DATA information is current as of publication date. Products conform to specifications per the terms of Texas Instruments standard warranty. Production processing does not necessarily include testing of all parameters.

 **TEXAS  
INSTRUMENTS**

POST OFFICE BOX 655303 • DALLAS, TEXAS 75265

Copyright © 1996, Texas Instruments Incorporated

# TLC548C, TLC548I, TLC549C, TLC549I 8-BIT ANALOG-TO-DIGITAL CONVERTERS WITH SERIAL CONTROL

SLAS067C – NOVEMBER 1983 – REVISED SEPTEMBER 1996

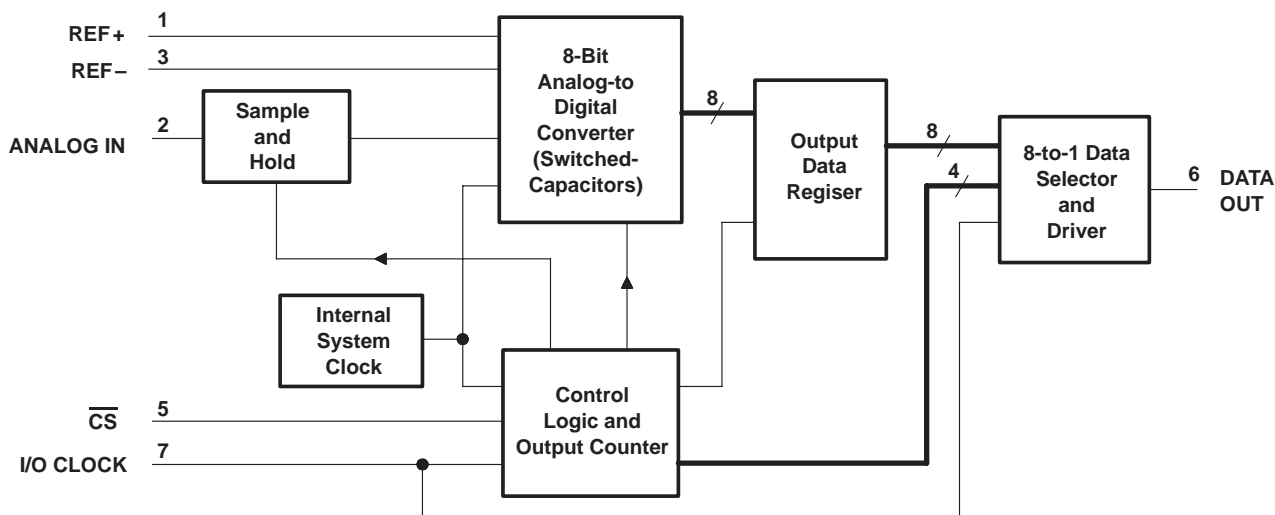
## description (continued)

Operation of the TLC548 and the TLC549 is very similar to that of the more complex TLC540 and TLC541 devices; however, the TLC548 and TLC549 provide an on-chip system clock that operates typically at 4 MHz and requires no external components. The on-chip system clock allows internal device operation to proceed independently of serial input/output data timing and permits manipulation of the TLC548 and TLC549 as desired for a wide range of software and hardware requirements. The I/O CLOCK together with the internal system clock allow high-speed data transfer and conversion rates of 45 500 conversions per second for the TLC548, and 40 000 conversions per second for the TLC549.

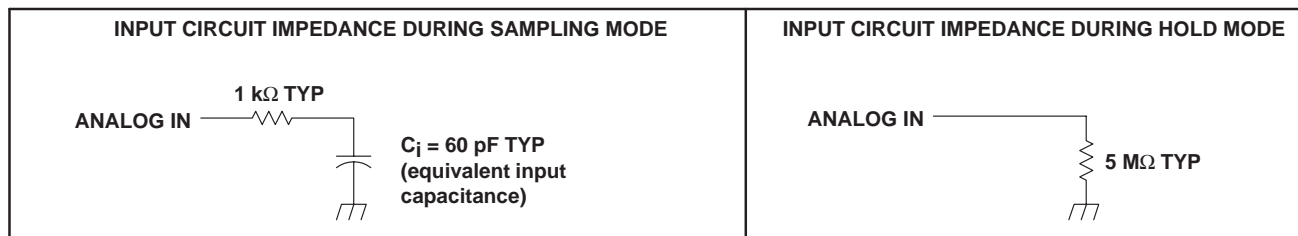
Additional TLC548 and TLC549 features include versatile control logic, an on-chip sample-and-hold circuit that can operate automatically or under microprocessor control, and a high-speed converter with differential high-impedance reference voltage inputs that ease ratiometric conversion, scaling, and circuit isolation from logic and supply noises. Design of the totally switched-capacitor successive-approximation converter circuit allows conversion with a maximum total error of  $\pm 0.5$  least significant bit (LSB) in less than 17  $\mu$ s.

The TLC548C and TLC549C are characterized for operation from 0°C to 70°C. The TLC548I and TLC549I are characterized for operation from -40°C to 85°C.

## functional block diagram



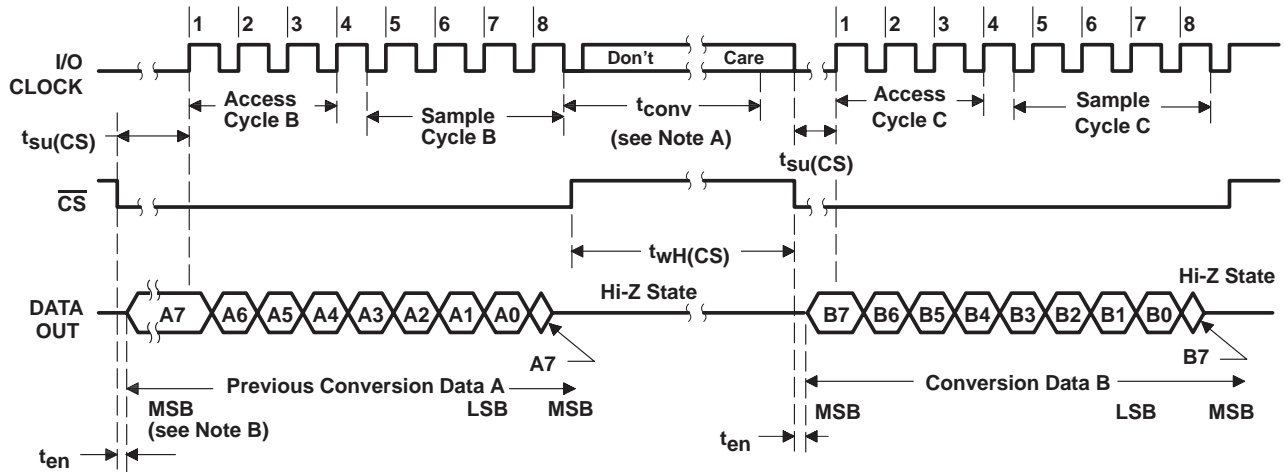
## typical equivalent inputs



# TLC548C, TLC548I, TLC549C, TLC549I 8-BIT ANALOG-TO-DIGITAL CONVERTERS WITH SERIAL CONTROL

SLAS067C – NOVEMBER 1983 – REVISED SEPTEMBER 1996

## operating sequence



- NOTES: A. The conversion cycle, which requires 36 internal system clock periods (17  $\mu$ s maximum), is initiated with the eighth I/O clock pulse trailing edge after  $\overline{CS}$  goes low for the channel whose address exists in memory at the time.
- B. The most significant bit (A7) is automatically placed on the DATA OUT bus after  $\overline{CS}$  is brought low. The remaining seven bits (A6–A0) are clocked out on the first seven I/O clock falling edges. B7–B0 follows in the same manner.

## absolute maximum ratings over operating free-air temperature range (unless otherwise noted)

Supply voltage, $V_{CC}$ (see Note 1)	6.5 V
Input voltage range at any input	–0.3 V to $V_{CC} + 0.3$ V
Output voltage range	–0.3 V to $V_{CC} + 0.3$ V
Peak input current range (any input)	$\pm 10$ mA
Peak total input current range (all inputs)	$\pm 30$ mA
Operating free-air temperature range, $T_A$ (see Note 2):	
TLC548C, TLC549C	0°C to 70°C
TLC548I, TLC549I	–40°C to 85°C
Storage temperature range, $T_{stg}$	–65°C to 150°C
Lead temperature 1,6 mm (1/16 inch) from case for 10 seconds	260°C

- NOTES: 1. All voltage values are with respect to the network ground terminal with the REF– and GND terminals connected together, unless otherwise noted.
2. The D package is not recommended below –40°C.

