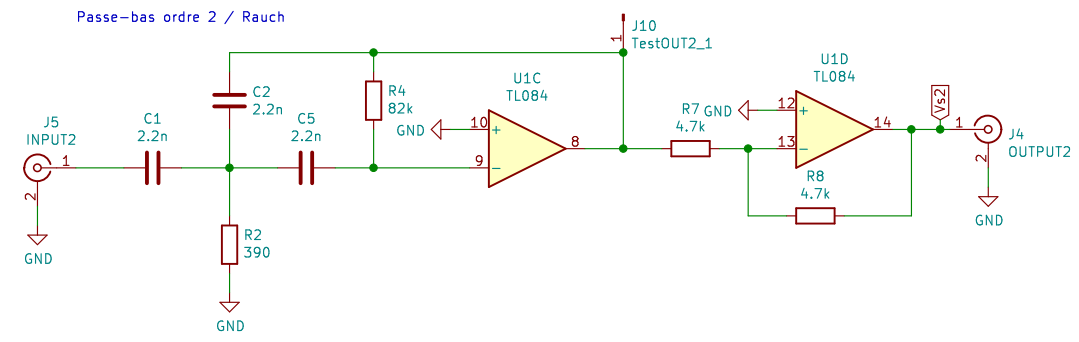
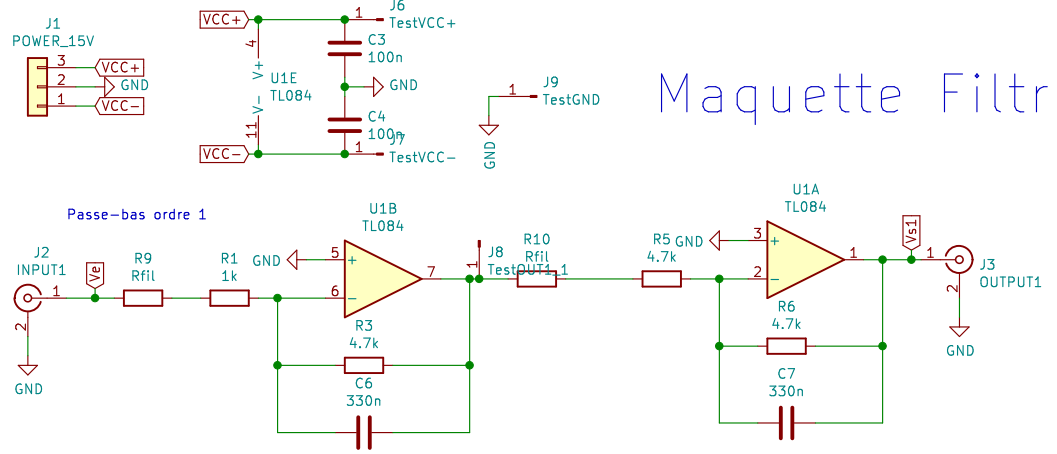


Maquette Filtre 1



Sheet: /	
File: maquette_TP_maq01.sch	
Title:	
Size: A4	Date:
KiCad E.D.A. eeschema (5.0.1)-4	Rev: 1/1